

GNS Datalogger

GNS datalogger (Model D2007_AT) is an EN50155:2017 certified equipment that designed for rolling stock applications such as railways and trams.

The **datalogger** could scan, and record MAC address of mobile devices ranged from 300ft under outdoor environment and 150ft under indoor environment respectively. This datalogger could connect with backend web application to conduct people counting and trend finding via MAC address analysis. All the serial ports equipped with optical isolation that provides comprehensive protection to other onboard devices.

It also provides with secured internet connectivity protocol (i.e. VPN) for encoding the sending messages to backend network. The datalogger equipped that could capture and store over millions records from onboard devices that cater the unstable network conditions.

D2022 Railway Datalogger		
Antenna	Dimension	118 mm x 20mm \pm 5mm (Height x Diameter)
	Detection Range	Outdoor 300ft Indoor 150ft
	IP Rating	IP67
	IMD	IMD level 145 dB at carrier power 2x 30dBm
	Voltage standing wave ratio (VSWR) from socket, tracker to antenna	<2
	Composite Power max (W)	At least 25W
	Weight	0.28kg \pm 0.05kg
	Cellular interface	Number of antennas
Connector socket on tracker side		SMA-K
Sim card		2 x Mini SIM (2FF)
Frequency Bands		Global: B1/B2/B3/B4/B5/B7/B8/B12/B13/B18/B19/B20/B25/B26/ B28/B38/B39/B40/B41 AU: B1/B2/B3/B4/B5/B7/B8/B28/B40 EMEA: B1/B3/B5/B7/B8/B20/B38/B40/B41 CN: B1/B3/B5/B8/B38/B39/B40/B41
Wi-Fi Interface	Number of antennas	1
	Connector	RP-SMA-K

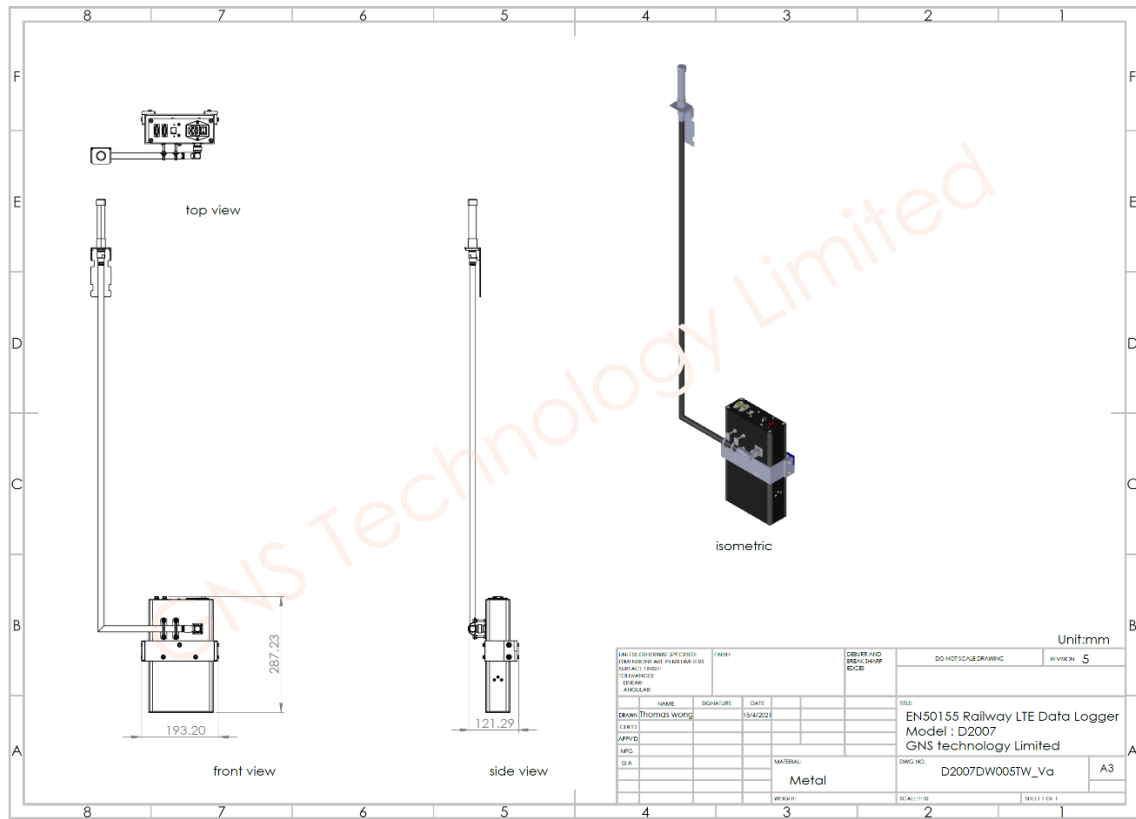
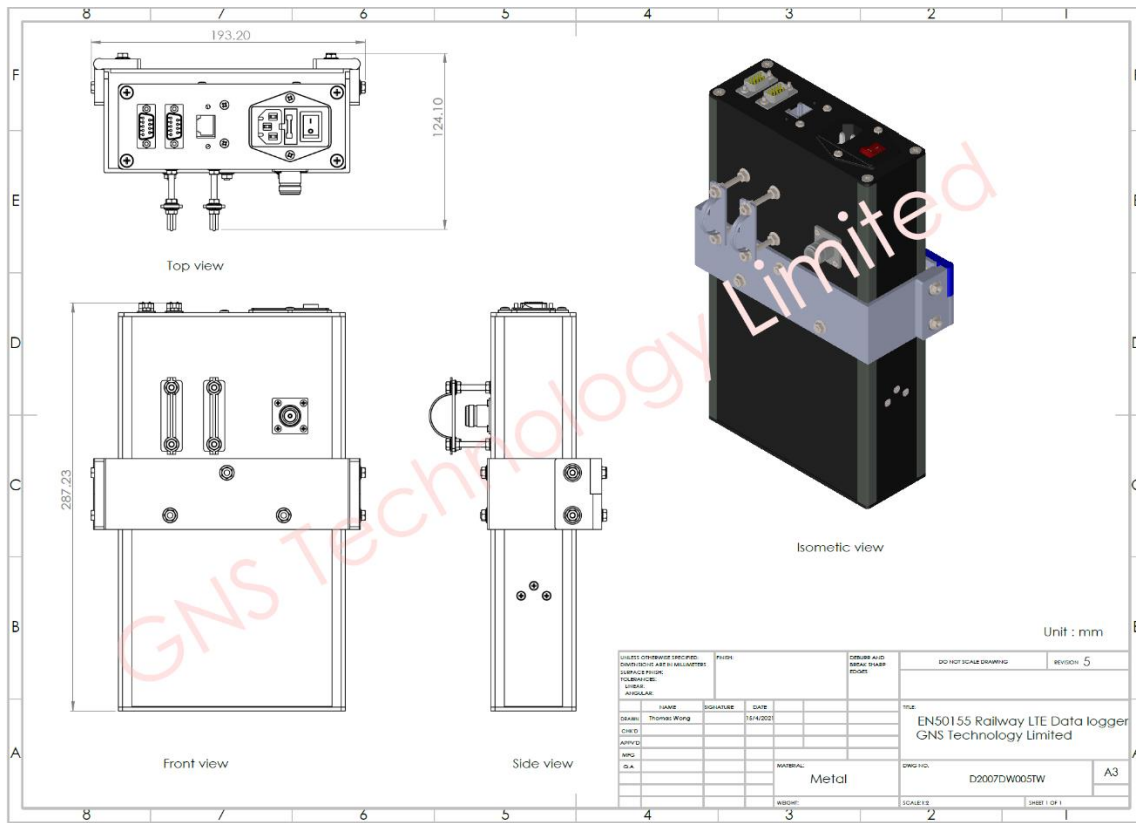
Datasheet of D2007_AT Datalogger

	Standards	802.11 a/b/g/n, supports AP and Client modes
	Frequency bands	2.4 GHz 5 GHz
	Security	Open, WPA, WPA2, WEP
	Encryption	AES, TKIP, WEP64
	Date Speed	Up to 150 Mbps
Ethernet Interface	Number of ports	2 x 10/100 Mbps, 2 x LAN or 1 x LAN + 1 x WAN
	Magnet isolation	1.5 KV
Mechanics/ Electronics	Supply Voltage	200V – 240V AC
	Power Socket	BS Female socket with indication light
	Fuse	2A
	Tracker Dimension (without mount)	280mm x 160mm x 100mm ± 2mm
	Weight of tracker	<3 kg
	Housing material	Aluminum
	Operating Temperature	EN50132-2:2016 +A1:2019
Software	Software to connect railway system	Proprietary software
	Storage	1 micro SD slot (support at least 32GB SD card)
Others	VPN Tunnel	OpenVPN that comply auth SHA512 and AES-256-CBC)
	End to End Time from tracker to backend server	<4 seconds

Standards and Regulations

Environmental	RoHS2.0, WEEE
EMI	EN 55032: 2012/AC: 2013 (CE & RE) Class B
EMS	IEC 61000-4-2 (ESD) Level 4 IEC 61000-4-3 (RS) Level 4 IEC 61000-4-4 (EFT) Level 4 IEC 61000-4-5 (Surge) Level 3 IEC 61000-4-6 (CS) Level 2 IEC 61000-4-8 (M/S) Level 4

Datasheet of D2007_AT Datalogger



Datasheet of D2007_AT Datalogger

